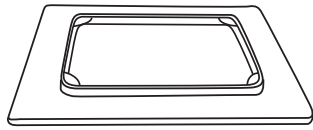


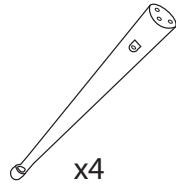
Part # DT-TW-ORTB

15-0211

PARTS



A



x4

B



C



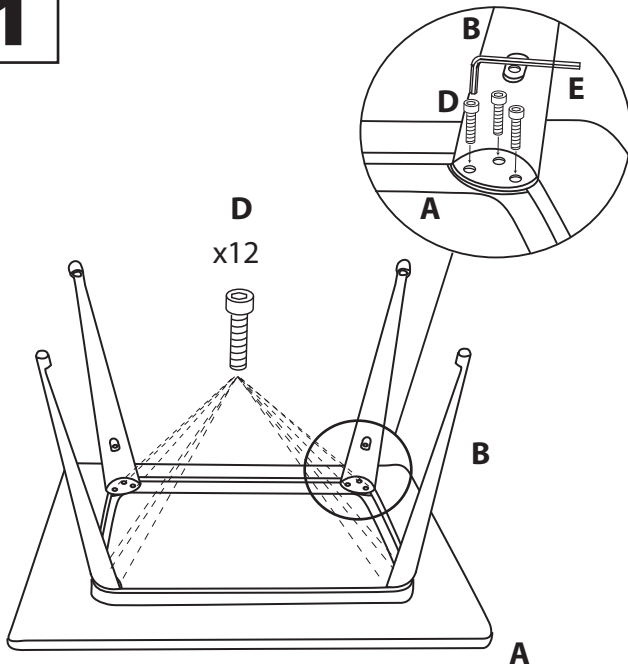
x16

D

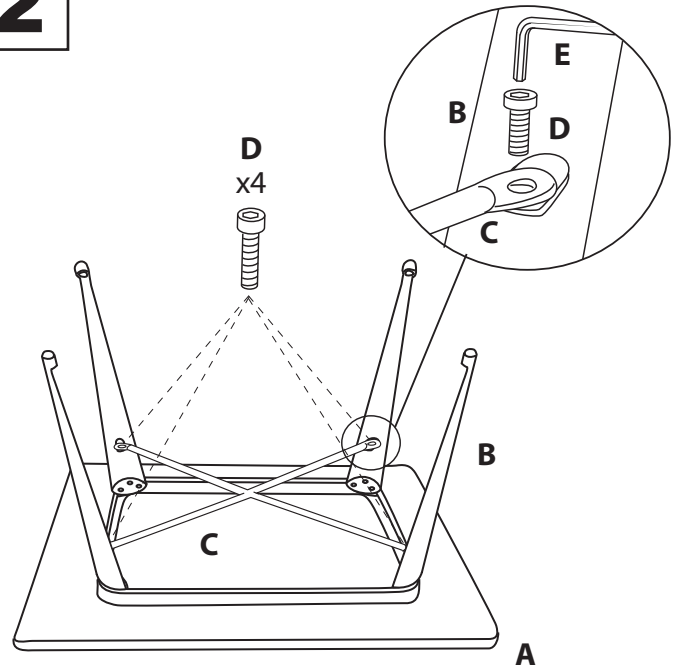


E

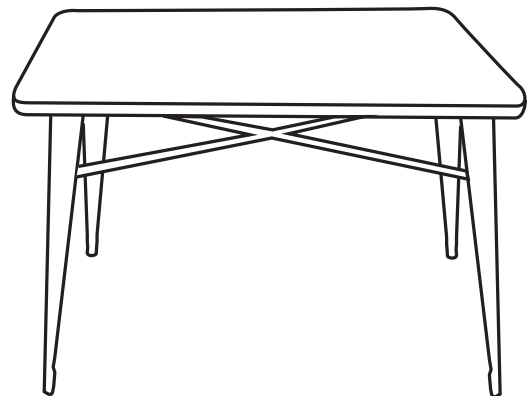
1



2



3



Do not over tighten.
 Do not use power tools to assemble.